

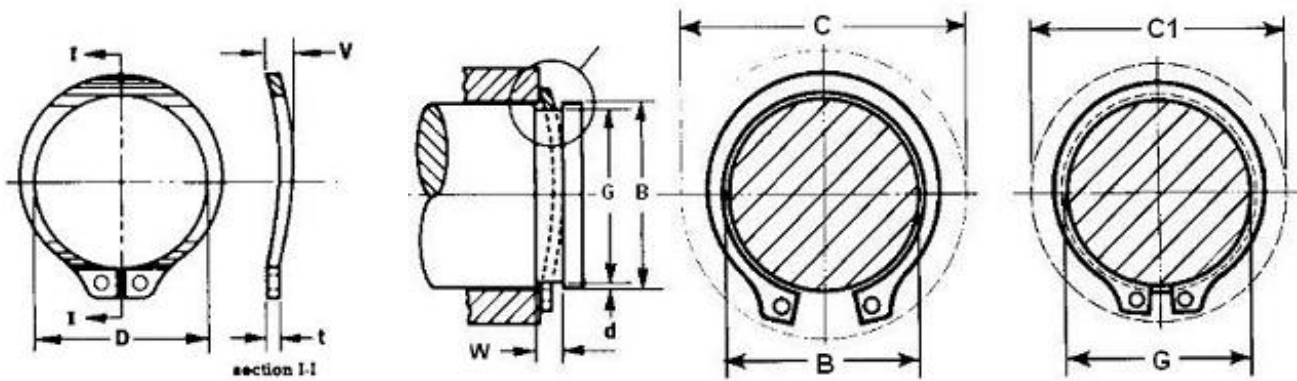


www.americanringmfg.com

# MS16628-4078 Retaining Ring Spec Sheet



**Part Number: MS16628-4078**  
MS16628 - External Bowed Retaining Ring



## Ring Specs

---

<b>(D) Free Diameter:</b>	0.722 +0.005 / -0.010	in.
<b>(t) Thickness:</b>	0.042 +0.002 / -0.002	in.
<b>(b) Radial Wall:</b>		

## Groove Specs:

---

<b>(B) Application Diameter:</b>	0.781	in.
<b>(G) Groove Diameter:</b>	0.733 +0.003 / -0.003	in.
<b>(W) Groove Width:</b>	0.062 +0.003 / -0.000	in.
<b>Groove Depth:</b>	0.024	in.

## Other Specs

---

<b>Approximate Weight per 1000:</b>	2.200	lbs.
<b>(C) Clearance Diameter When Sprung On to Shaft</b>	1.120	in.

(C1) Clearance Diameter When Sprung Into Groove	1.080	in.
(V) Bow Height	0.073	in.
(Vtol) Bow Height Tolerance (+/-)	0.008	in.